

RX OS

Modular Tool Arm

The RXOS Modular Tool Arm features a plug-and-play design with versatile configurations.

It attaches to rigid surfaces and our human-powered Exoskeleton, offering unmatched customization and flexibility.



5-35
LB

LIFT RANGE



360°

ROTATION

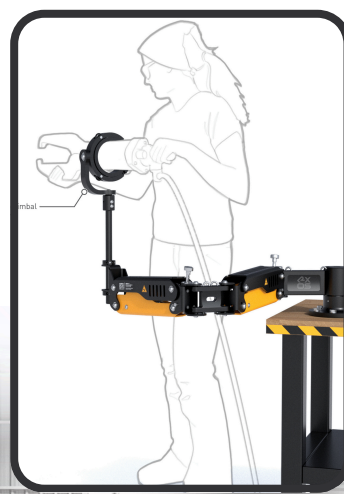
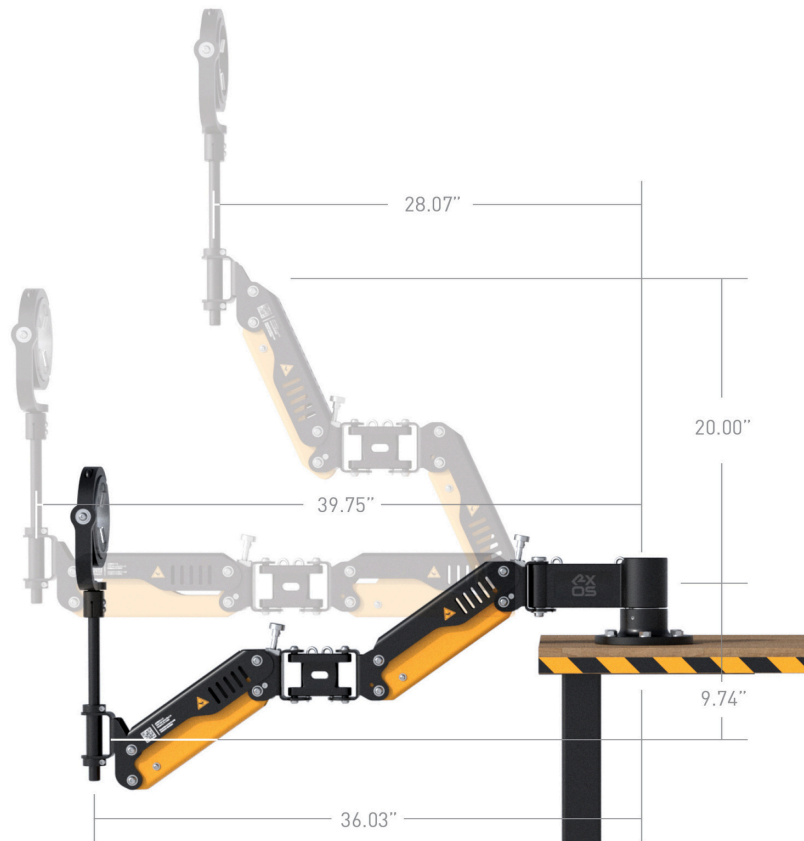


CONFIGURABLE



VERSATILE

BOOK A DEMO



RXOS

Tool Arm with End Effector

The RXOS Tool Arm with End Effector features a ruggedized design with versatile configurations.



AUTO-BRAKE



AUTO-LOCK



LIFT RANGE



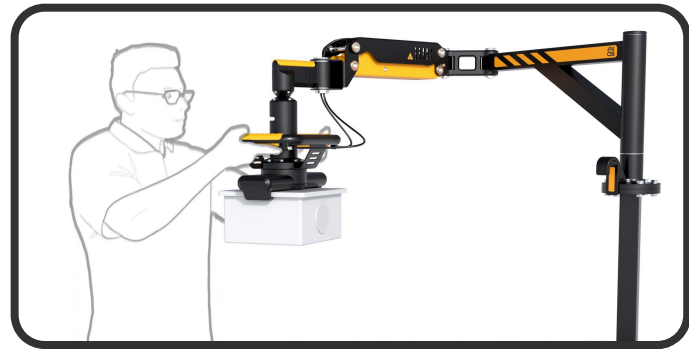
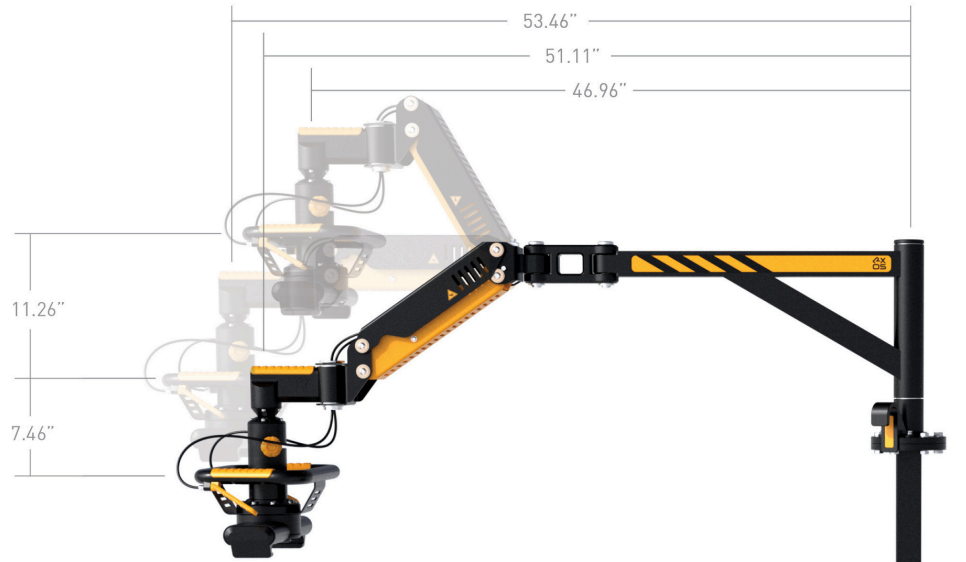
ROTATION



CONFIGURABLE



VERSATILE



BOOK A DEMO



RXOS

Exoskeleton with Tool Arm

The RXOS Exoskeleton and Tool Arm helps push, lift, hold and carry objects beyond the limits of human performance.

Working in conjunction with the Tool Arm, the Exoskeleton redirects the weight of the tool away from the wearer to the ground.



EXO-SUIT



LIFT RANGE

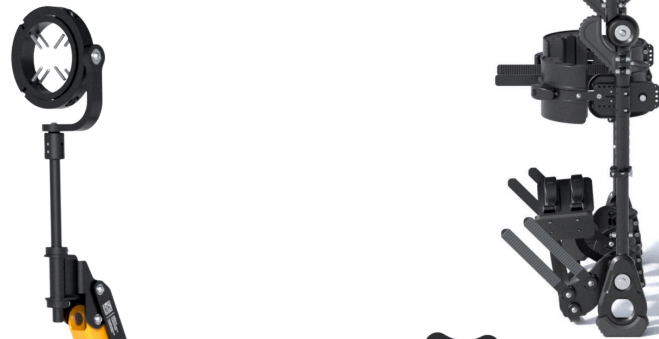
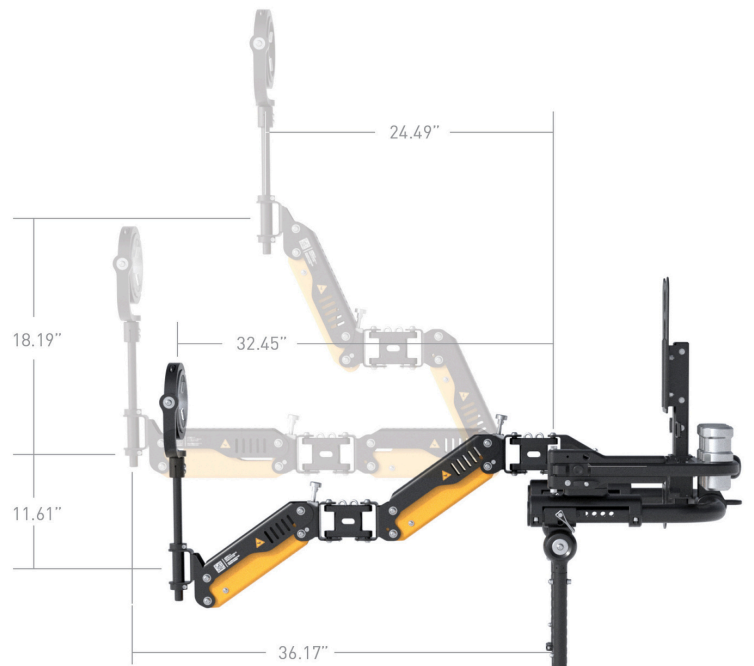


CONFIGURABLE



VERSATILE

BOOK A DEMO





INTRODUCTORY PRICING

The RXOS System features robust engineering with versatile and customizable configurations.



LIFT RANGE



CONFIGURABLE



VERSATILE

TOOL ARM

QTY	MSRP	QTY X1
1	\$9,750	
5	\$9,250	
10	\$8,750	



ONE LINK ARM + END EFFECTOR

QTY	MSRP	QTY X1
1	\$24,500	
5	\$22,500	
10	\$20,500	



SWING ARM MOUNT

QTY	MSRP	QTY X1
1	\$2,500	
5	\$2,350	
10	\$2,200	



CART + COUNTERWEIGHT

QTY	MSRP	QTY X1
1	\$2,545	
5	\$2,395	
10	\$2,245	



EXOSKELETON

QTY	MSRP	QTY X1
1	\$40,000	
5	\$27,600	
10	\$24,500	



Gimbal

The RXOS gimbal attaches industrial grinders, sanders, and riveters to the Tool Arm. Available in small and medium sizes to accommodate most standard tools, the gimbal can also be customized for specific needs.

Each RXOS gimbal is available in straight, 90°, and 45° angled heads for optimal tool positioning.

SMALL GIMBAL (tool diameter 1.58" - 3.08")

QTY	MSRP	QTY X1
1	\$4,325	
5	\$4,075	
10	\$3,825	



MEDIUM GIMBAL (tool diameter 2.58" - 4.08")

QTY	MSRP	QTY X1
1	\$4,475	
5	\$4,225	
10	\$3,975	



MULTI-ANGLE
OPTIONS



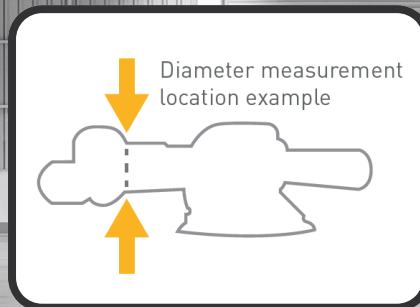
5-35
LB
LIFT RANGE



CONFIGURABLE



VERSATILE



BOOK A DEMO

